

Blind rivet hand tools

Flipper®

Part no. 701 0001

Working range

Blind rivets up to 5 mm Ø aluminium and 4 mm Ø steel and stainless steel

Technical data

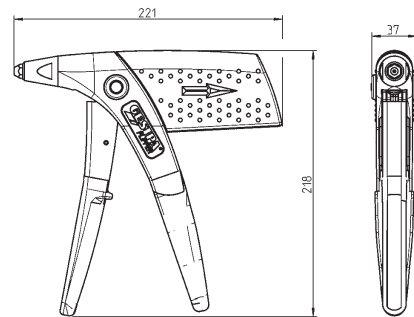
Weight: 750 g
Total length: 212 mm
Total stroke: 16,2 mm
Single action stroke: 1,8 mm

Nosepieces/accessories

Nosepieces: 10/18, 10/24 and 10/29
1 maintenance wrench (on magazine)
Operating instructions with spare parts list

Advantages

- The force increases when the handle is closed. This is made use of via the special arrangement of the lever when setting blind rivets: ergonomic design
- The required manual force is reduced by around 40 percent if actuated several times.
- Actuation lever with an opening spring for easy single-handed operation
- Jaw mechanism with spring reset for safe and automatic mandrel ejection
- Rivet mandrel collection container can be clipped to the body casing and is easy to empty
- Larger device lift: a benefit when handling extra long blind rivets
- Sturdy body casing in high-quality die cast aluminium
- Sturdy actuation lever made of tempered steel
- Link pin on anti-twist bearings
- Ergonomic lever positions and handle design



Conversion kit for plastic blind rivets:

Part no. 701 3000

Nosepiece assignment for Flipper® can be found on page 75.



Blind rivet hand tools – Sortiment

Riveting kit



Part no. 754 0027

Contents

Blind rivet hand tool **NTX** and **12 blind rivet sizes**,
1 maintenance wrench.
Weight: approx. 3.75 kg
Dimensions:
340 x 205 x 40 mm

Incl. 12 blind rivet sizes

Alu/steel 3,0 x 8,0 mm (VE 80)
Alu/steel 3,0 x 10,0 mm (VE 80)
Alu/steel 3,0 x 12,0 mm (VE 70)
Alu/steel 4,0 x 5,0 mm (VE 80)
Alu/steel 4,0 x 6,0 mm (VE 80)
Alu/steel 4,0 x 8,0 mm (VE 70)
Alu/steel 4,0 x 10,0 mm (VE 60)
Alu/steel 4,0 x 12,0 mm (VE 60)
Copper/steel 3,0 x 6,0 mm (VE 90)
Copper/steel 4,0 x 6,0 mm (VE 70)
Alu/steel 3,0 x 5,0 mm (VE 100)
Alu/steel 3,0 x 7,0 mm (VE 100)

Junior riveting kit



Part no. 754 1023

Contents

Blind rivet hand tool **NTX** and **5 blind rivet sizes**,
1 maintenance wrench.
Weight: approx. 2.5 kg
Dimensions:
275 x 145 x 40 mm

Incl. 5 blind rivet sizes

Alu/steel 3,0 x 6,0 mm (VE 90)
Alu/steel 3,0 x 8,0 mm (VE 60)
Alu/steel 4,0 x 6,0 mm (VE 60)
Alu/steel 4,0 x 10,0 mm (VE 50)
Steel/steel 3,0 x 6,0 mm (VE 90)



Now also available as **Junior riveting kit PolyGrip® (Art.-Nr. 754 1024)** with the sizes 3,2 x 8, 4 x 10, 4 x 17, 4,8 x 10 and 4,8 x 17.

Flipper® box



Part no. 701 0002

Contents

Blind rivet hand tool **Flipper®** and **3 PolyGrip® blind rivet sizes**, in a lightweight plastic carrying case.
Weight: approx. 0.9 kg
Dimensions:
220 x 200 x 40 mm

Incl. 3 blind rivet sizes

PolyGrip® Alu/steel 3,2 x 8,0 mm (VE 100)
PolyGrip® Alu/steel 4,0 x 10,0 mm (VE 100)
PolyGrip® Alu/steel 4,8 x 10,0 mm (VE 50)

Mini pack refills can be found on page 205.